

Installation manual

Microwave motion sensor

Microwave motion sensor is an active sensor – integrated measuring instrument sends out high-frequency electromagnetic waves and absorbs their reflection. The built-in system analyzes the changes in frequency caused by any movement in detection area.



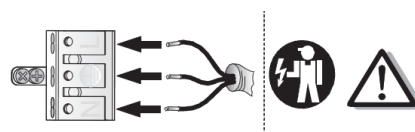
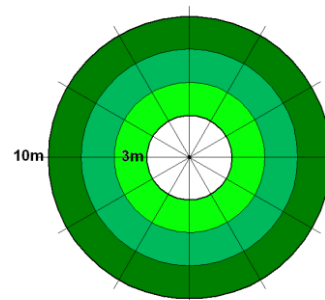
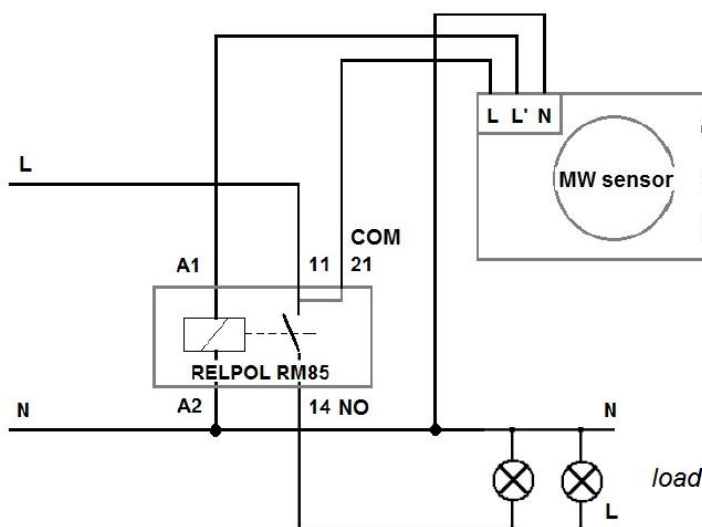
1. Parameters

Power	Max wattage	IPR	angle	ON time	Range	Light intensity	Mounting height	Frequency	Power consumption	Operation temp.
~220-240V/50-60Hz	1200W	IP20	flat 360°	from 8 sec. to 12 min.	from 3 m to 12 m	from 2 to 2000 lux	2,5 m	5,8 GHz	<10mW	-20°C +40°C

2. Installation

- a) disconnect the power by a circuit breaker or a switch
- b) install the sensor in the luminaire using the screws
- c) connect the wires accordingly to the wiring diagram below
- d) turn the power supply in the circuit back on
- e) set the parameters of the sensor :
 - range setting (SEN) – area of detection is a circle of a diameter of 3 to 12 meters
 - lighting time (Time) – set between 8 seconds and 12 minutes
 - light intensity – the light intensity in the area which turns the light on - set between 2 and 2000 lux

Note: The minimum distance between microwave motion sensors is 6m.



3. Important warnings

The manufacturer cannot be considered liable for any damages deriving from improper, wrong and unreasonable use of the fitting. Luminaires may be installed by qualified personnel only. Any manipulation inside the luminaire when power supply is on causes the risk of electric shock. Manufacturer is not responsible for any flaws caused by avoid using this manual. Manufacturer reserves a right to change the construction of the product. Do not assembly in places without air circulation. To guarantee safety of luminaire functions, please assembly according to instruction.



The European Directive 2002/96/EC on waste electrical and electronic equipment, requires that electric and electronic devices must be disposed of in the normal household waste. The crossed out wheeled bin is reproduced in order to remember obligations towards separately collection. For correct disposal, please use authorized waste disposal facilities or returned to the distributor at the date a new lighting fitting is purchased. Lamps, if disposed together with the lighting fitting, shall not be broken up since they contain substances which are highly polluting for the environment. Unauthorized disposal of the foregoing waste material is punishable by law.

